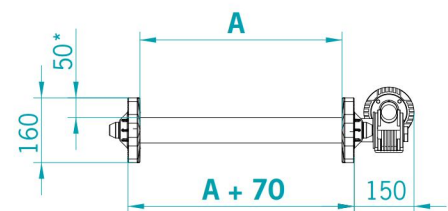
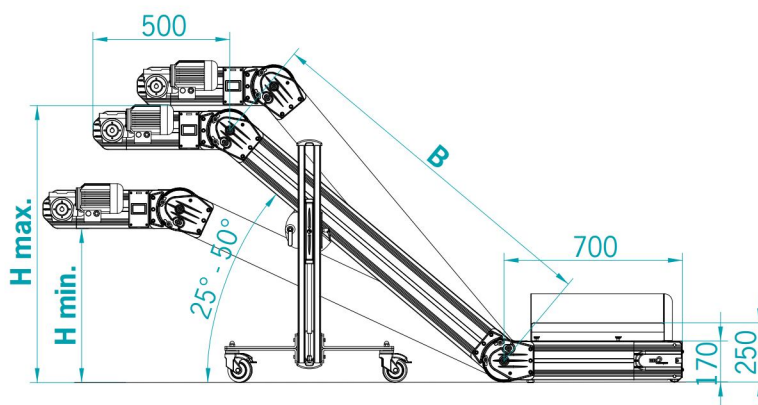


N-CPTR conveyor

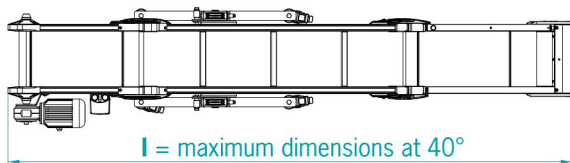


- Sturdy frame made of primary extrusion aluminium section, Alloy 6060, protected by anodisation treatment thickness 15 micron.
- Standard cut-proof, oil-proof belt, with smooth green Polyurethane covering (ref. Pantone 320); with heat-welded slats h=30 mm with pitch 400 mm; vulcanised belt joint.
- Minimum and maximum temperature resistance of belt -10°C to +90°C.
- Standard transmission group consisting of 0.12 kW three-phase, asynchronous motor coupled with worm reduction unit with permanent lubrication.
- Fixed standard conveyor speed 3 m/min.
- Conveyor complete with Siemens Start and Stop switch/motor cut-out with 5 m cable and 4P CE plug (3 phases+ground).
- Standard motor supply voltage 400 Volts/50 Hz.

STANDARD DIMENSIONAL FEATURES



*Standard removable side panels 50 mm h



	A	B	H min	H max	I a 40°
N-CPTR.0	140 mm	1500 mm	650 mm	1150 mm	2500 mm
N-CPTR.1	240 mm	1500 mm	650 mm	1150 mm	2500 mm
N-CPTR.2	340 mm	1800 mm	800 mm	1400 mm	2750 mm
N-CPTR.3	440 mm	2000 mm	850 mm	1550 mm	2900 mm
N-CPTR.4	540 mm	2000 mm	850 mm	1550 mm	2900 mm